

Recessed Back Box Installation

Important Safeguards

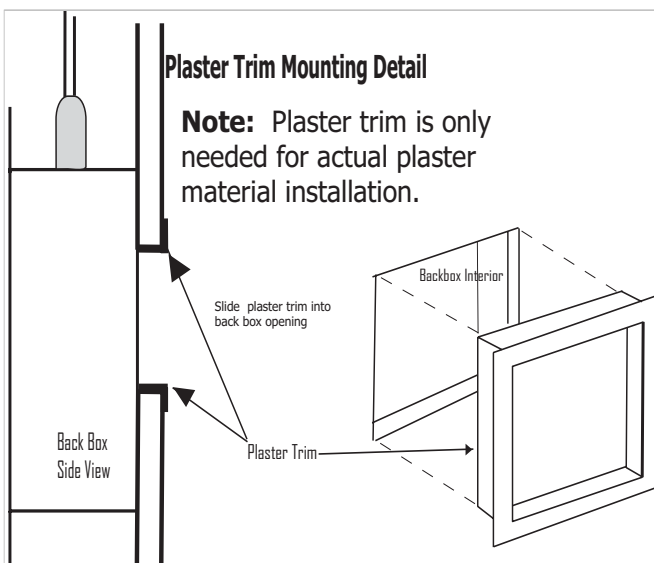
When using electrical equipment, basic safety precautions should always be followed including the following:

Read and Follow All Safety Instructions

1. Do Not use outdoors.
2. Do not let power cords touch hot surfaces
3. Do not mount near gas or electric heaters.
4. Equipment should be mounted in locations and at heights where it will not readily be subjected to tampering by unauthorized persons
5. The use of accessory equipment not recommended by the manufacturer may cause an unsafe condition and may void your warranty.
6. Do not use this equipment for other than intended use.
7. Servicing of this equipment should be performed by qualified service personnel.
8. All back boxes are constructed of 20 gauge galvanized steel.

Backbox is designed for recessed mounting in gypsum board or plaster wall or ceiling. When used in plaster wall or ceiling, install plaster trim option.

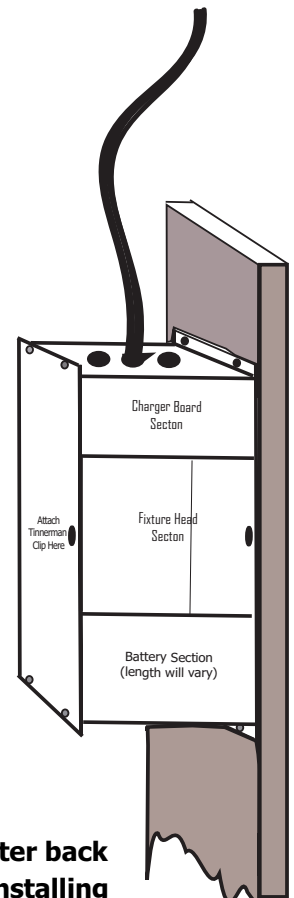
1. **Securely fasten back box to stud, joist or blocking material using tabs at top and bottom of backbox with screws (not furnished).**
2. **For Wall Mounting – Mount with knockouts at top end.**
3. **For Ceiling Mounting – Mount with opening of backbox downwards.**



4. **Route branch circuiting in metallic raceway. Securely terminate into enclosure by KO's provided.**

5. **Install tinnerman clips over oblong holes in sides of backbox.**

6. **Insert the Tinnerman clips after back boxes are installed just prior to installing the fixture head, this way there is less chance the clips will fall off prior to inserting heads, and less chance the roto zip will knock them off or damage them at the drywall stage. Tinnerman clips are shipped with the fixture heads. When back boxes ship out early, Tinnerman clips are not included in the initial back box shipment but will be shipped with the fixture heads.**



Concealite Life Safety Products
www.concealite.com

202 Elk Street - Elkton, SD 57026
Phone: 605-542-4444 Fax: 605-542-3333