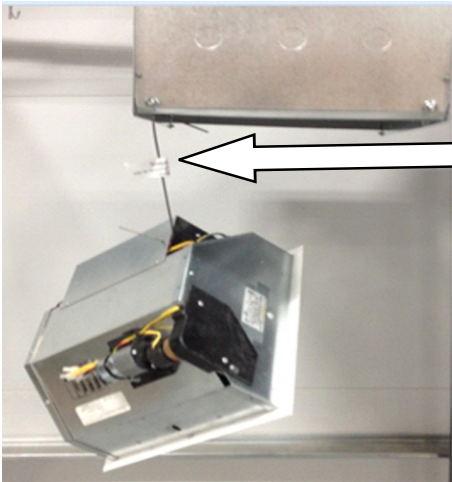


**!** **Important Safeguards**  
Read and Follow All Safety Instructions

BE SURE POWER IS OFF AT BREAKER BOX

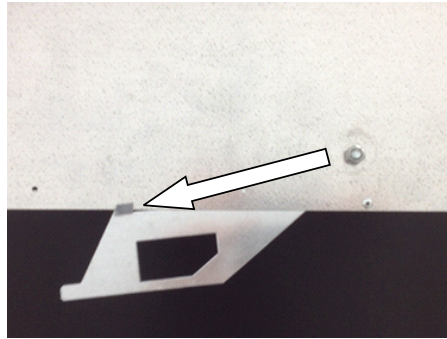
- Do not use outdoors.
- Do not let power cords touch hot surfaces.
- Do not mount units where they will be exposed to direct sunlight, radiators, gas or electric heaters.
- Equipment should be mounted in locations and at height where unauthorized personnel will not readily subject it to tampering.
- The use of accessory equipment not recommended by the manufacturer may cause an unsafe condition.
- Do not use this equipment for other than intended use.
- Qualified service personnel should perform servicing of this equipment.

Installation



A temporary suspension hanger is provided to aid in wiring if needed.

- 1 Wire unit to your rough-in wiring.
- 2 Grasp spring arm and pull down until it catches on the edge of the box. Appropriate hand protection should be worn to protect against sharp edges.



- 3 Repeat with other spring arm.

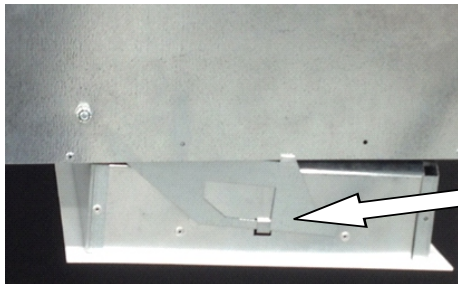
**Limited Warranty**

All Concealite fixtures are tested and guaranteed against defects in materials and workmanship by the manufacturer for a period of three years from date of shipment under normal operations and proper use. Correction of all defects shall be by replacement or repair (at our discretion) and shall constitute fulfillment of all manufacturer's obligations. We will not allow any charge for labor, material, etc. that does not have our written approval before the work is begun. Damage incurring in handling or transit are not covered by this guarantee. Any other warranty, expressed or implied, is hereby void. Modifications to the product or failure to follow installation instruction will void the warranty.

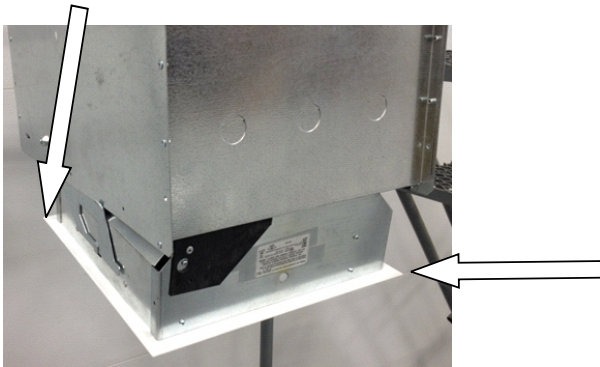


## Important Safeguards

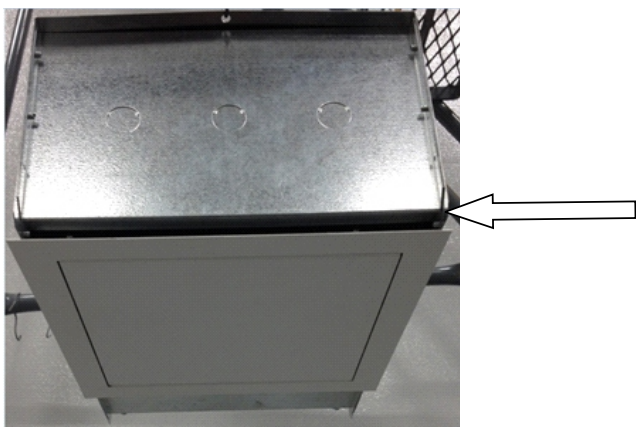
Read and Follow All Safety Instructions



- 4 Place fixture between spring arms and engage tab on fixture head with slot on spring arms



- 5 Grasp fixture head by opposite corners and pull away from back box slightly to disengage spring arms from edge of back box. (Whenever installing or removing fixture head grasp and pull by the CORNERS ONLY.)

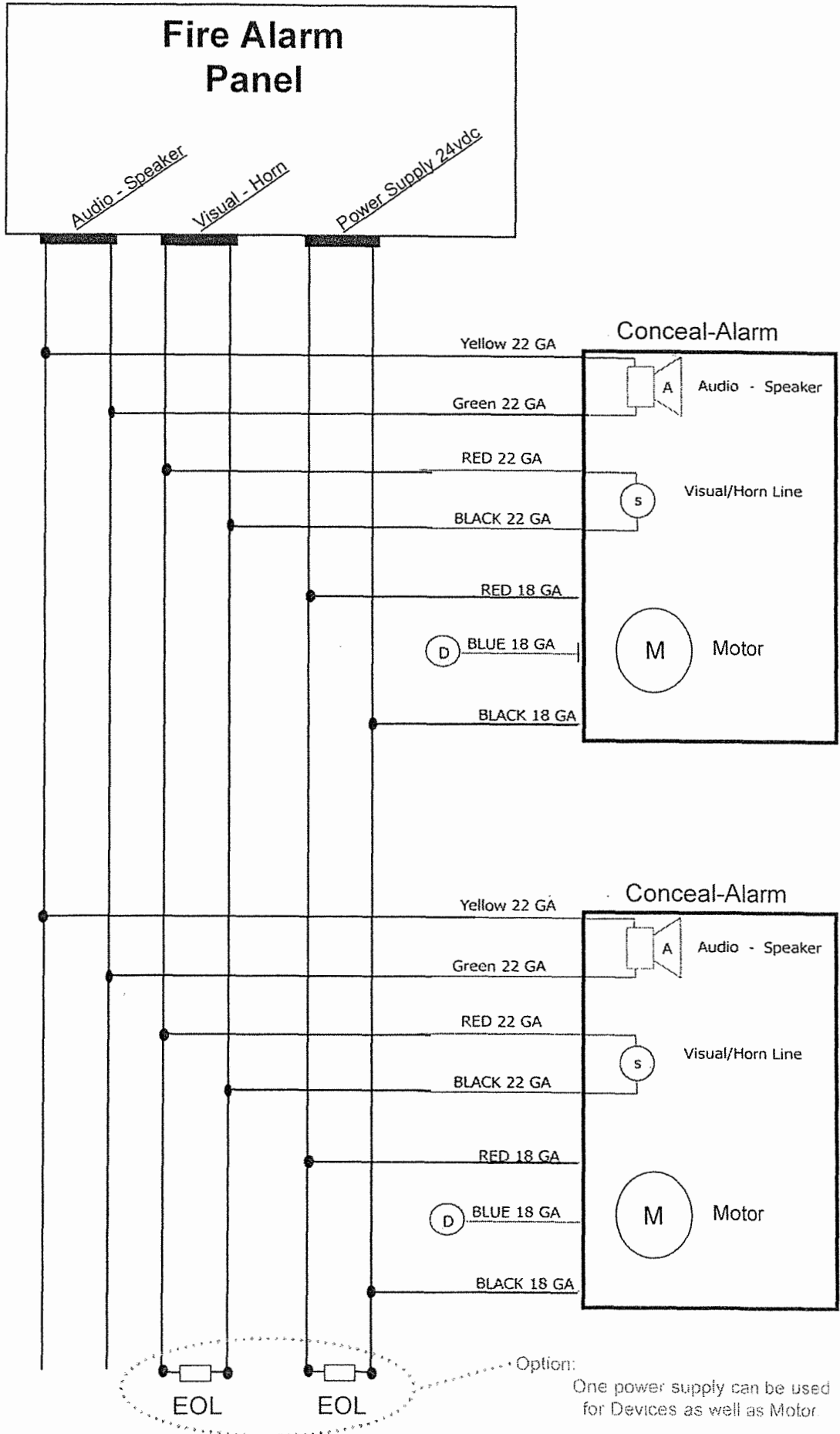


- 6 Lower fixture head into back box and adjust to desired fit.

### Limited Warranty

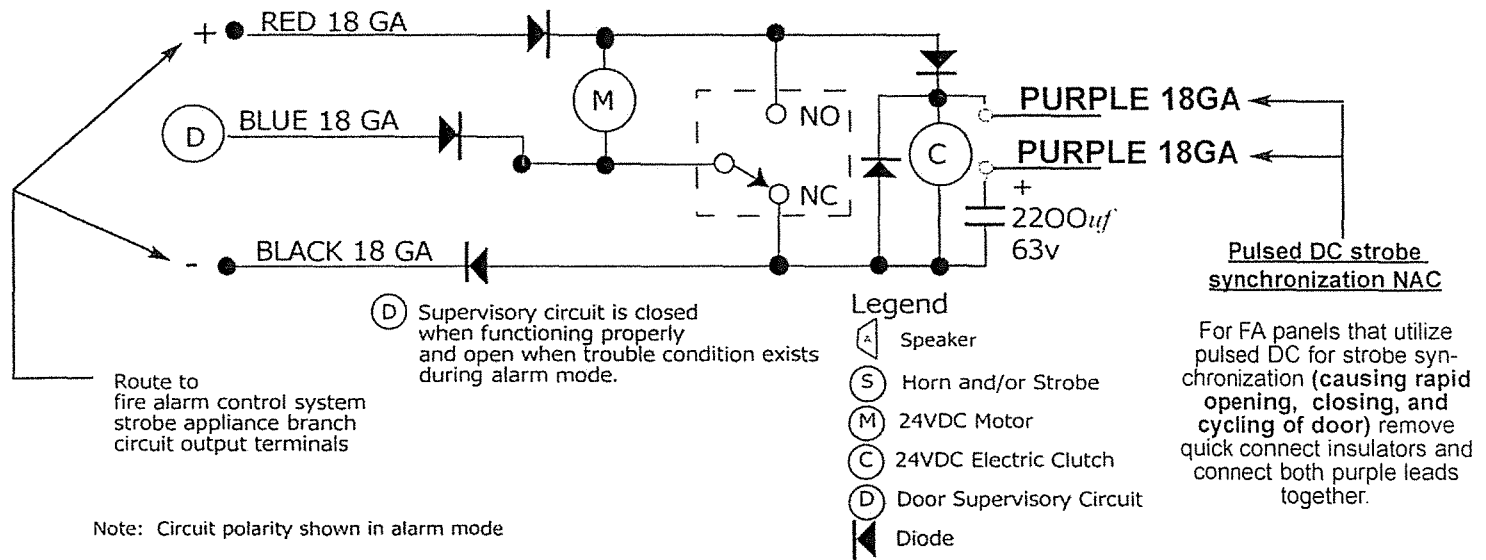
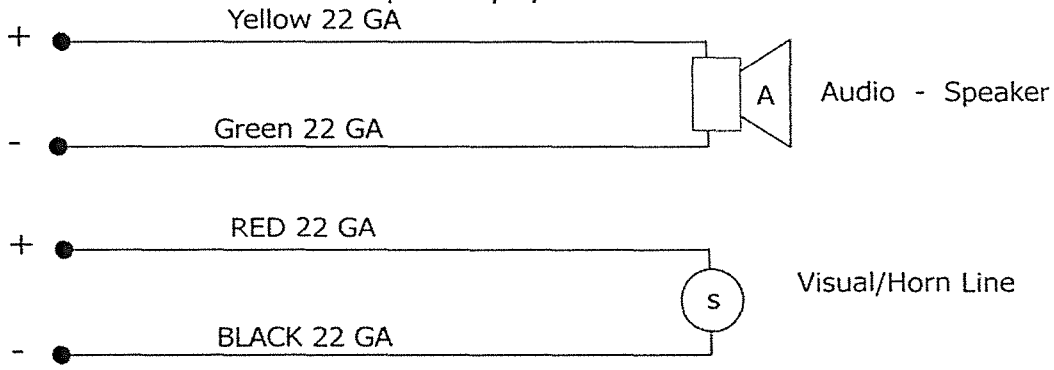
All Concealite fixtures are tested and guaranteed against defects in materials and workmanship by the manufacturer for a period of three years from date of shipment under normal operations and proper use. Correction of all defects shall be by replacement or repair (at our discretion) and shall constitute fulfillment of all manufacturer's obligations. We will not allow any charge for labor, material, etc. that does not have our written approval before the work is begun. Damage incurring in handling or transit are not covered by this guarantee. Any other warranty, expressed or implied, is hereby void. Modifications to the product or failure to follow installation instruction will void the warranty.

# Multiple Device Wiring Diagram



Maximum 3 Conceal-Alarms per 2 amp NAC is recommended

### Fire Alarm Wiring Diagram Supervisory System



**Note:** This diagram demonstrates all possible wiring combinations: Please choose the appropriate wires to attach to the leads provided from the fire alarm panel. All units will utilize the 18 ga Red & Black for the motor & the 18 ga Blue Supervisory lead. Use the 22 ga Red & Black for a strobe or horn/strobe, the 22 ga Yellow & Green for a speaker only, all 22 ga leads are required for a speaker/strobe.

# Conceal-Alarm Series

# TECHNICAL DATA



ETL listed to UL standards UL1971, UL1480, UL464

## Fixture Models

FA100

FA900

FAFX



## Operation Cycle

When activated, the signaling appliance begins operation, the Conceal-Alarm's door rotates 180 degrees, and the micro-switch disengages the motor. The door is held open by a magnetic clutch system that remains operational until the fire alarm panel is deactivated. Deactivating the alarm mode branch circuit disengages the magnetic clutch and the door returns to a closed position.

## Wiring Needs

Conceal-Alarm units use standard wiring practices, comparable to any alarm system. No additional wiring is necessary.

## Appliance Application

Conceal-Alarm utilizes Wheelock UL Listed fire alarm appliances, i.e., speaker, speaker strobes, horns and horn/strobe combination units that operate with any fire system.

- All Conceal-Alarm units come fitted with a factory fitted wheelock UL listed appliance. Appliances cannot be installed in the field.

### SPEAKER WATTAGE & VOLTAGE SETTINGS

Position	25V	70V
A	2 WATT	
B	1 WATT	
C	1/2 WATT	
D	1/4 WATT	2 WATT
E	1/8 WATT	1 WATT
F		1/2 WATT
G		1/4 WATT
H		1/8 WATT

## Strobes

Strobes are available in wall and ceiling mount. Candela rating must be specified prior to manufacture. Due to concerns that strobe lights flashing at various times in the same area can trigger health problems, the Conceal-Alarm units are compatible with standard fire system synchronous modules, which cause the strobes to pulse at the same time.

## Horns

The horn portion of the appliance can be set to provide either Continuous Horn or Code 3 Horn. The sound output can be set for High (HI) or Low (LO) dBA. Conceal-Alarm units with the horn feature are shipped with the default settings from the appliance manufacturer, unless requested otherwise.

## Speakers

Speakers may operate with a public address system for use by the fire department, as well as automated messages during emergency situations.

## Back Box Applications

The Conceal-Alarm can be installed in various back boxes depending on the specific requirements. The following back boxes are available:

- R1** Use in new construction applications. (FA100)
- FA-900 Back Box** Use in standard new construction application. (FA900)
- RB** Use in retrofit applications (FA100)
- FA-900-RB** Use in retrofit applications (FA900)
- FAFX-BB** Standard new construction (FX)
- FAFX-RB** Use in retrofit applications (FX)
- SM** For surface mount installation (FA100 only)

## Finish

The standard Conceal-Alarm trim and door are white powder coat. Please contact factory for custom finishes options.

## Electrical Requirements

The table below will assist in planning voltage requirements for fire alarm systems:

Model	Voltage	Current Draw (mAmps) *
FA	16 VDC	600
FA	24 VDC	600
FA	33 VDC	600
FA	16 vFWR	600
FA	24 vFWR	600
FA	33 vFWR	600

\*To determine total voltage requirements, select the proper current draw for the Conceal-Alarm from the table above and add the current draw requirements specified by the manufacturer of the appliance to be used within the Conceal-Alarm fixture.

## Draw Requirements

Current draw requirements are available on the cut sheet for the device or on the web site of the manufacturer. Information can be viewed at:

### Cooper Wheelock

[www.cooperwheelock.com](http://www.cooperwheelock.com)

### Candela Settings

Wall: 15-30-75-110-135-185  
FOR SSPK-HCD 135 OR 185  
Ceiling: 15-30-75-95-115 or 177  
FOR SSPK HCD 115 OR 177

## Limited Warranty

All Concealite equipment is guaranteed against defects in materials and workmanship by the manufacturer for a period of three years from date of shipment under normal operations and proper use. Correction of all defects shall be by replacement or repair (at our discretion) and shall constitute fulfillment of all manufacturer's obligations.

Note: These specifications are subject to change