

Innovative.  
Incognito.  
Ingenious.



www.concealite.com

Concealite offers an innovative choice that conceals obtrusive fire alarm appliances. Our life safety products are available in a variety of custom finishes to blend in with interiors. We specialize in working with the design community to make our custom product lines fit your ideas and needs.

### Conceal-Alarm Series

FA100 & FA900 

ETL listed to UL standards UL1971, UL1480, UL464

#### Aesthetics

In architectural environments, fire notification appliances are obtrusive and interrupt the aesthetic beauty of interior designs. Concealite has applied their patented egress lighting technology to fire alarm equipment in order to maintain design integrity. Only when the fire system is activated do the units become visible, rotate 180 degrees, and begin operation. The result is a clean, almost invisible installation, that does not conflict with your interior.

#### Architectural Features

- Standard white powder coat finish or units can be customized at the factory or in the field using paint, wallpaper, or applique finishes.
- No minimum order for factory customized paint.
- Compact, completely self-contained units.
- Interfaces with all fire alarm systems.
- Units fit in standard stud wall.
- Retrofit kits available for installation in existing walls or ceilings.
- Units furnished standard with Wheelock UL listed devices.  
(See FAFX for larger ceiling devices.)
- Units are vandal resistant.
- Designed for wall or ceiling installations, including gypsum board, plaster, or acoustical tile applications.
- Units conform to NFPA 72 standards.
- ETL listed to UL standards UL1971, UL1480, UL464



Historic Tennessee Theater, Knoxville TN

Conceal-Alarm interfaces with any fire alarm system meeting local and National Life Safety Codes.



FA100  
Horn/Strobes  
Horns  
Strobes  
Speakers



FA900  
Speaker/Strobes



Custom Finishes are Available to Match Interiors.

# Conceal-Alarm Series

FA100 & FA900



FIXTURE SCHEDULE	FIXTURE TYPE:	PROJECT NAME/REF:
APPROVAL:	CANDELA:	PROJECT LOCATION:

## Installation

This fixture utilizes a recessed flange for flush mounting in either wall or ceiling. The assembly adjusts to any wall or ceiling thickness and is secured in place with concealed fasteners. The door, appliance, and motor drive assembly are inserted into the recessed enclosure. Wire connections to the unit are made through conduit raceway on the recessed enclosure. For complete installation and operation instructions, please refer to the instruction sheet included with each shipment.

## New Projects

For new projects, a single enclosure is mounted before the wall or ceiling material is installed.

## Retrofit/Remodeling Projects

For retrofit/remodeling applications a retrofit back box (suffix RB) enclosure is available. See options and technical data section for details.

## Product Specifications

The fire notification appliance shall be Concealite Conceal-Alarm Series. The unit shall be wall or ceiling mounted and will be controlled by the central fire system. Upon system activation, the door of the unit shall rotate 180 degrees and the fire notification appliance shall begin operation. Upon fire system shutdown, the door will rotate 180 degrees putting the appliance in the hidden or stored position. The standard unit shall be a white powder coat finish, and can be custom finished by factory, or in the field, using paint, wallpaper or applique. The unit shall fit in a standard stud wall, and back boxes shall be available for any standard wall or ceiling material. The unit shall interface seamlessly with any fire system and shall not affect or interfere with any diagnostic routines of the fire system. The unit shall be in conformance with NFPA 72 (National Fire Alarm Code).

## Limited Warranty

All Concealite equipment is guaranteed against defects in materials and workmanship by the manufacturer for a period of three years from date of shipment under normal operations and proper use. Correction of all defects shall be by replacement or repair (at our discretion) and shall constitute fulfillment of all manufacturer's obligations.

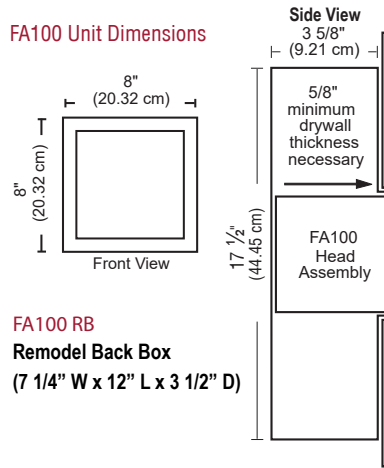
### FA100

Horn/Strobe Combination, Horn, Strobe, Speaker



**Note:**  
Unit requires finished opening of 7 1/4"H x 6 3/4"W.  
Unit depth of 3 5/8" allows for installation into **walls only**. (No Ceiling installations. See FA-FX for ceiling applications).

### FA100 Unit Dimensions



### FA100 RB

Remodel Back Box  
(7 1/4" W x 12" L x 3 1/2" D)

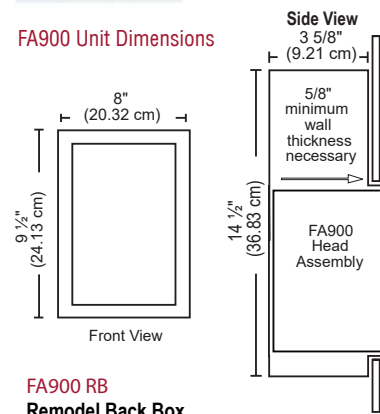
### FA900

Speaker/Strobe



**Note:**  
Unit requires finished opening of 8 7/8"H x 6 3/4"W.  
Unit depth of 3 5/8" allows for installation into **walls only**. (No ceiling installations. See FA-FX for ceiling applications).

### FA900 Unit Dimensions



### FA900 RB

Remodel Back Box  
(7 1/2" W x 13 3/4" L x 3 1/2" D)

## Ordering Information

Example Spec: FA900-W-24-SSPK-110-CF

Series	FA900	W	24	SSPK	110	OPTIONS
FA900 (Wall Only) Speaker/Strobe						
FA100 Horn & Strobe						
Horn Only						
Strobe Only						
Speaker Only						
Type						
W Wall						
C Ceiling						
Voltage						
24 24 VDC						
Notification						
SSPK Speaker/Strobe (FA900 only)						
AS Horn/Strobe Combination (FA100)						
A Horn (FA100)						
C Chime						
S Strobe (FA100)						
SPK Speaker (FA100)						
Strobe Intensity						
15 15 Candela						
30 30 Candela						
75 75 Candela						
95 95 Candela (Ceiling Only)						
110 110 Candela (Wall Only)						
115 115 Candela (Ceiling Only)						
135 135 Candela (Wall Only)						
177 177 Candela (Ceiling Only)						
185 185 Candela (Wall Only)						
Options						
PT Plaster Trim						
RB Retro Fit Back Box						
SM Surface Mount Enclosure (FA100 Only)						
TBAR T-Bar Mounting Kit						
CF Custom Finish (Specify 4 digit RAL #)						

**RB Option:**  
Existing Construction Installation  
Our unique to the market Retro Back Box is available that allows installation into existing construction.



202 Elk Street, P.O. Box 160  
Elkton, SD 57026  
Phone: (605)542-4444  
Fax: (605)542-3333  
www.concealite.com

Innovative.  
Incognito.  
Ingenious.



www.concealite.com

Concealite offers an innovative choice that conceals obtrusive fire alarm appliances. Our life safety products are available in a variety of custom finishes to blend in with interiors. We specialize in working with the design community to make our custom product lines fit your ideas and needs.

## Conceal-Alarm Series

FAFX



ETL listed to UL standards UL1971, UL1480, UL464

### Aesthetics

In architectural environments, fire notification appliances are obtrusive and interrupt the aesthetic beauty of interior designs.

Concealite has applied their patented egress lighting technology to fire alarm equipment in order to maintain design integrity. Only when the fire system is activated do the units become visible, rotate 180 degrees, and begin operation. The result is a clean, almost invisible installation, that does not conflict with your interior.

### Architectural Features

- Designed for ceiling installations, including gypsum board, plaster, or acoustical tile applications
- Standard white powder coat finish or units can be customized at the factory or in the field using paint, wallpaper, or applique finishes.
- No minimum order for factory customized paint.
- Compact, completely self-contained units.
- Interfaces with all fire alarm systems.
- Units furnished standard with Wheelock UL listed devices.
- Units are vandal resistant.
- Units conform to NFPA 72 standards.
- ETL listed to UL standards UL1971, UL1480, UL464



Acoustic Ceiling Installation

**Conceal-Alarm interfaces with any fire alarm system meeting local and National Life Safety Codes.**

FX Shown Below with Ceiling Speaker / Strobe Fixture Installed



FAFX (Ceiling Only)

Speaker/Strobes  
Horn/Strobes  
Horns  
Strobes  
Speakers

Custom Finishes are Available to Match Interiors.

v.05.03.16.FA



# Conceal-Alarm Series

FAFX



ETL listed to UL standards UL1971, UL1480, UL464

FIXTURE SCHEDULE	FIXTURE TYPE:	PROJECT NAME/REF:
APPROVAL:	CANDELA:	PROJECT LOCATION:

## Installation

This fixture utilizes a recessed flange for flush mounting in ceiling. The assembly adjusts to any ceiling thickness and is secured in place with concealed fasteners. The door, appliance, and motor drive assembly are inserted into the recessed enclosure. Wire connections to the unit are made through conduit raceway on the recessed enclosure. For complete installation and operation instructions, please refer to the instruction sheet included with each shipment.

## New Projects

For new projects, a single back box is mounted before the ceiling material is installed.

## Retrofit/Remodeling Projects

For retrofit/remodeling applications a multi-section (suffix RB) enclosure is available. See options and technical data section for details.

## Product Specifications

The fire notification appliance shall be Concealite Conceal-Alarm Series. The unit shall be ceiling mounted and will be controlled by the central fire system. Upon system activation, the door of the unit shall rotate 180 degrees and the fire notification appliance shall begin operation. Upon fire system shutdown, the door will rotate 180 degrees putting the appliance in the hidden or stored position. The standard unit shall be a white powder coat finish, and can be custom finished by factory, or in the field, using paint, wallpaper or applique. The unit shall interface seamlessly with any fire system and shall not affect or interfere with any diagnostic routines of the fire system. The unit shall be in conformance with NFPA 72 (National Fire Alarm Code).

## Limited Warranty

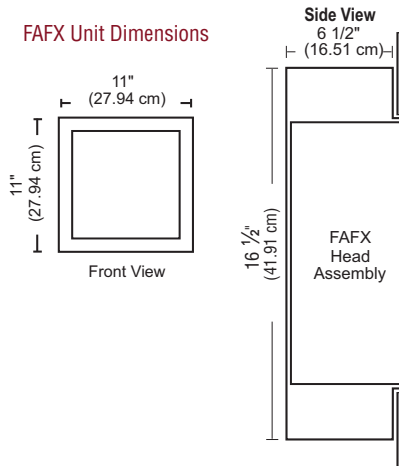
All Concealite equipment is guaranteed against defects in materials and workmanship by the manufacturer for a period of three years from date of shipment under normal operations and proper use. Correction of all defects shall be by replacement or repair (at our discretion) and shall constitute fulfillment of all manufacturer's obligations.

### FAFX



**Note:**  
Unit requires finished opening of 10 1/4" H x 10 1/4" W.  
Unit depth of 6 1/2" allows for installation into ceilings.

### FAFX Unit Dimensions



Typical "Visible" Installation



FAFX "Invisible" Installation

## Ordering Information

Example Spec: FAFX-C-24-(device type)-(strobe setting)-(options)

	<b>FAFX</b>	<b>C</b>	<b>24</b>	<b>SSPK</b>	<b>110</b>	<b>OPTIONS</b>
Series	FAFX					
Type		C Ceiling				
Voltage			24 24 VDC			
Notification				SSPK Speaker/Strobe AS Horn/Strobe Combination A Horn C Chime S Strobe SPK Speaker		
Strobe Intensity						15 15 Candela 30 30 Candela 75 75 Candela 95 95 Candella 115 115 Candela 177 177 Candela OC Other Candela (Please Specify)
Options						TBAR T-Bar Mounting Kit RBFX Retro Fit Back Box CF Custom Finish (Specify 4 digit RAL #)



202 Elk Street, P.O. Box 160  
Elkton, SD 57026  
Phone: (605)542-4444  
Fax: (605)542-3333  
www.concealite.com

## Fixture Models

FA100

FA900

FAFX



## Operation Cycle

When activated, the signaling appliance begins operation, the Conceal-Alarm's door rotates 180 degrees, and the micro-switch disengages the motor. The door is held open by a magnetic clutch system that remains operational until the fire alarm panel is deactivated. Deactivating the alarm mode branch circuit disengages the magnetic clutch and the door returns to a closed position.

## Wiring Needs

Conceal-Alarm units use standard wiring practices, comparable to any alarm system. No additional wiring is necessary.

## Appliance Application

Conceal-Alarm utilizes Wheelock UL Listed fire alarm appliances, i.e., strobes, horns and strobe/horn combination units that operate with any fire system. Installation of optional units are dependent on the following guidelines.

- All Conceal-Alarm units come fitted with a factory fitted wheelock UL listed appliance. Appliances cannot be installed in the field.

## Strobes

Strobes are available in wall and ceiling mount. Candela rating must be specified prior to manufacture. Due to concerns that strobe lights flashing at various times in the same area can trigger health problems, the Conceal-Alarm units are compatible with standard fire system synchronous modules, which cause the strobes to pulse at the same time.

## Horns

The horn portion of the appliance can be set to provide either Continuous Horn or Code 3 Horn. The sound output can be set for High (HI) or Low (LO) dBA. Conceal-Alarm units with the horn feature are shipped with the default settings from the appliance manufacturer, unless requested otherwise.

## Speakers

Speakers may operate with a public address system for use by the fire department, as well as automated messages during emergency situations.

## Back Box Applications

The Conceal-Alarm can be installed in various back boxes depending on the specific requirements. The following back boxes are available:

- **R1** Use in a standard stud wall (FA-100)
- **R1-900** Use in standard stud wall (FA-900)
- **RB** Use in retrofit applications (FA-100)
- **RB-900** Use in retrofit applications (FA-900)
- **RFX** Standard new construction (FX)
- **RBFX** Use in retrofit applications (FX)
- **SM** For surface mount installation (FA-100 only)

For specific dimensions on these back boxes refer to the technical section of the Concealite catalog or view the Back Box technical sheet at [www.concealite.com](http://www.concealite.com).

## Finish

The standard Conceal-Alarm trim and door are white powder coat. As with all Concealite fixtures, custom colors, and custom finishes are available options. Please contact factory for custom finishes.

## Electrical Requirements

The table below will assist in planning voltage requirements for fire alarm systems:

Model	Voltage	Current Draw (mAmps)*
FA	16 VDC	600
FA	24 VDC	600
FA	33 VDC	600
FA	16 vFWR	600
FA	24 vFWR	600
FA	33 vFWR	600

\* To determine total voltage requirements, select the proper current draw for the Conceal-Alarm from the table above and add the current draw requirements specified by the manufacturer of the appliance to be used within the Conceal-Alarm fixture.

## Draw Requirements

Current draw requirements are available on the cut sheet for the device or on the web site of the manufacturer. Information can be viewed at:

Cooper Wheelock  
[www.cooperwheelock.com](http://www.cooperwheelock.com)

## Limited Warranty

All Concealite equipment is guaranteed against defects in materials and workmanship by the manufacturer for a period of three years from date of shipment under normal operations and proper use. Correction of all defects shall be by replacement or repair (at our discretion) and shall constitute fulfillment of all manufacturer's obligations.

Note: These specifications are subject to change