

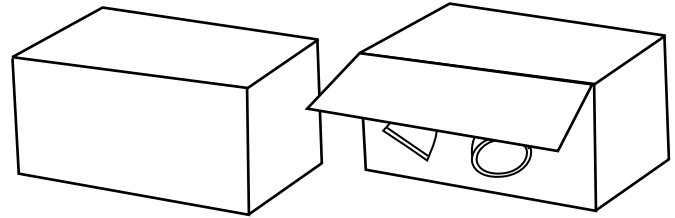


Phone: 605.542.4444 concealite.com

# Installation Instructions

## HL Hydro-Lite REM C-Block

Please Save These Instructions

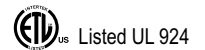


### Important Safeguards

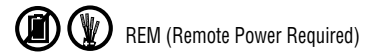
Read and Follow All Safety Instructions

- Unit to be installed by qualified personnel in accordance with all applicable codes.
- To reduce the risk of electric shock always disconnect both normal and emergency power supplies. Disconnect all circuits before installation.
- This product is for use with 12 Volt DC input power only.
- Make sure all connections are in accordance with the National Electrical Code, and any local regulations.
- Emergency fixtures should be maintained in accordance with NFPA 101 Life Safety Code requirements. It is recommended that emergency lighting units be tested for 30 seconds once a month, and for 90 minutes once a year.
- This product not for use in hazardous locations.
- Do not install near gas or electric heaters.
- The lamp heads and door actuator are factory installed and shall not be modified by unauthorized personnel. Do not store or place flammable materials near lamps.
- Halogen lamps operate at high temperatures, so use caution and allow to cool completely before replacing any faulty lamps. Use only manufacturer specified lamps (BiPin GY 6.35 Base 12v).
- Use of accessory or supplemental equipment not recommended by the manufacturer may cause an unsafe condition, and will void product warranty.
- Do not use this product for other than intended use.
- Servicing should be performed by qualified service personnel. Contact Concealite for information on service.
- Equipment should be mounted in locations, and at heights where it will not readily be subjected to tampering by unauthorized personnel.

**Series:** HL Hydro-Lite  
**C-Block Cinder Block Installation**  
**Model:** HL REM C-Block  
Wet Location/NEMA 4X



**HL REM C-Block Dimensions**  
7 5/8" H x 15 5/8" W x 5 1/2" D

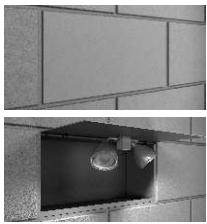


### Index

- 1 Important Safeguards
- 2 Installation
- 3 Wiring Installation/Operation
- 4 Supplement

### Limited Warranty

*All Concealite fixtures are tested and are guaranteed to be free from defective materials and workmanship for a period of three years from date of shipment under normal operations and proper use. Correction of all defects shall be by replacement or repair (at our discretion) and shall constitute fulfillment of all manufacturer's obligations. We will not allow any charge for labor, materials, etc. that does not have our written approval before the work is begun. Damage incurring in handling or in transit are not covered by this guarantee. Any other warranty, expressed or implied, is hereby void. Modifications to the product or failure to follow installation instructions will void the warranty.*




Failure to follow published installation instructions or any modifications to the product may damage the unit and will void the warranty.

Provide each unit with an approved metal or liquid-tite conduit, and wiring for your lighting in the area to be protected. The wiring should be a permanent installation.

*This unit is designed for recessed mounting in wet location NEMA 12 environments designed for concrete block wall. Locate unit within area to best maximize lighted area under anticipated conditions. Do not mount units where exposure to temperature will exceed 140 degrees Fahrenheit. Exceeding 140 degrees Fahrenheit may void warranty. Provide each unit with six (6) conductors supplied from a **Concealite central battery with XC control source** for the operational control of the motorized door. (Refer to wiring diagram on page 4 for specific requirements.) The wiring should be a permanent installation using waterproof UL recognized fittings at each entrance into the units back box area. **NOTE:** All entrances and mounting hardware penetrations into bottom back box area must be made with UL listed watertight components to maintain enclosure rating as designed. Concealite light fixtures marked as "HL REM" are designed for wet location NEMA 12 installations in accordance with UL Article 1571 and CSA C22.2 NO. 141, Special Purpose Type 2 enclosures. C22.2 NO. 94.*

## HL REM C-BLOCK INSTALLATION INSTRUCTIONS

 **WARNING:** to avoid fire, shock/electrocution, or injury – **TURN OFF POWER** at circuit breaker or fuse and test to ensure that power is off before wiring. Remove and discard the packaging materials.

### RECESSED INSTALLATION

  REM (Remote Power Required)  Listed UL 924



[1] Remove and discard the packaging materials. Provide a 8 inch high by 16 inch wide C block section sized wall location for recessed flush mounting of the fixture.



[2] 12V DC input lead wires are provided and exit the bottom back of the HL REM C-Block. UL listed watertight conduit fittings and conduit must be utilized. (See wiring diagram on page 4 for proper connection procedure)



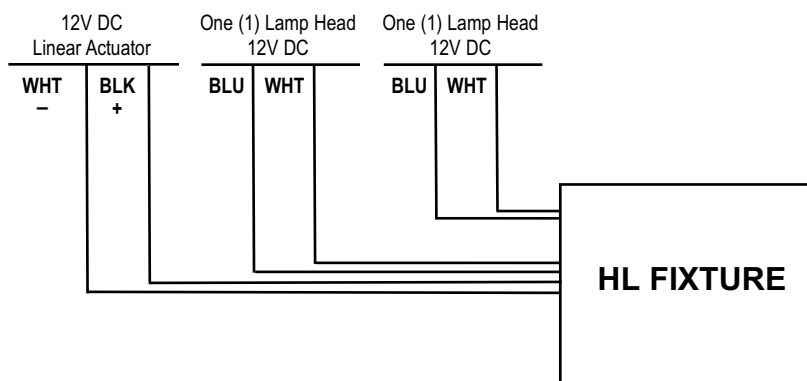
## HL REM C-BLOCK WIRING INSTRUCTIONS



**WARNING:** to avoid fire, shock/electrocution, or injury – **TURN OFF POWER** at circuit breaker or fuse and test to ensure that power is off before wiring. Remove and discard the packaging materials.

MODEL	VOLTS	WATTS
HL REM C-BLOCK	12V DC	200 (MAX)

Unit to be wired to customer supplied UL 924 listed controller.



**NOTE: Maximum Per Lamp Head Wattage is 100 Watts. However, verify maximum wattage of Concealite Central Battery Unit to maintain 90 minute run time.**

*Unit control circuits to be sized properly depending on model ordered. See model number for lamp sizes. Unit control circuits to ensure proper operation of fixture in accordance with UL Standard 924.*

## CARE & WARRANTY

### Routine Care

The HL REM C-Block fixture should be inspected monthly to ensure that it is clean and operational.

### Test Cycling (Emergency Use Only)

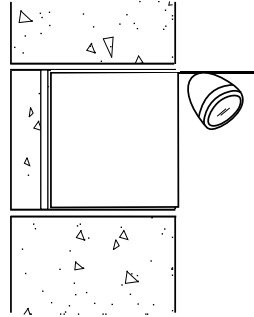
Every month, if there has been no power failure, test the HL Hydro-Lite REM C-Block fixture by activating the emergency power source for 15 minutes.

### Conditioning Cycles (This Applies to the Emergency Power Source)

Once a year, if power failures have been infrequent or non-existent, perform a full battery conditioning cycle. De-energize the AC circuit to which the unit is connected and let the emergency lights operate for the period of operation the unit is listed for, then restore AC power. This puts the battery through a discharge/recharge cycle over its full-intended range, and also provides a rigorous test of over-all unit operation.

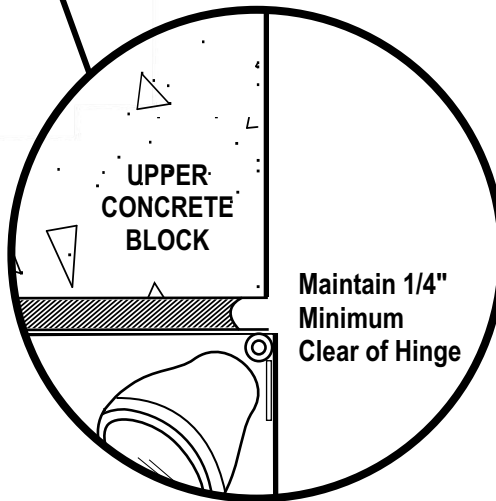
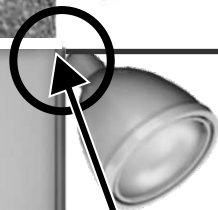
### Limited Warranty

All Concealite fixtures are tested and are guaranteed to be free from defective materials and workmanship for a period of three years from date of shipment under normal operations and proper use. Correction of all defects shall be by replacement or repair (at our discretion) and shall constitute fulfillment of all manufacturer's obligations. We will not allow any charge for labor, materials, etc. that does not have our written approval before the work is begun. Damage incurring in handling or in transit are not covered by this guarantee. Any other warranty, expressed or implied, is hereby void. Modifications to the product, or failure to follow installation instructions, will void the warranty.

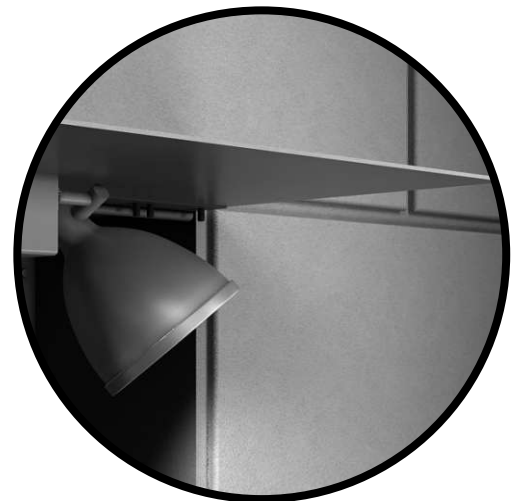


## SIDE VIEW

NOTE: Maintain Hinge Area Clear of Cement Mortar



## SIDE VIEW



## ACTIVE VIEW