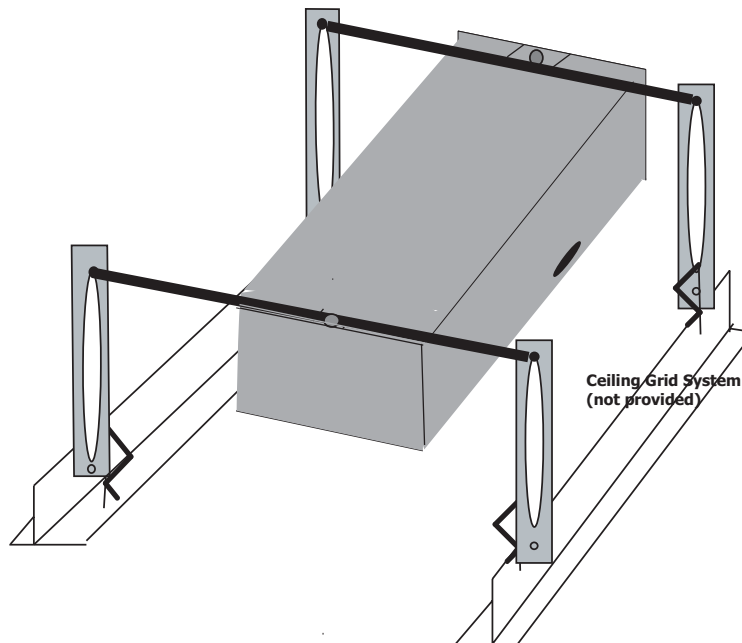


Acoustical T-Bar Electrical Box Hanger Installation

T-Bar fasteners are intended for indoor use in non-corrosive environments only. Do not exceed 20 pounds without independent wire support to tile rails and backbox.

1. Select the desired location for the back box installation. The backbox is supported on each end by a separate T-Bar.
2. Install the support clips:
 - a. Place the long leg of the of the attachment clip against the acoustical T-Bar.
 - b. Push the short leg back over the opposite side of the T-bar.
 - c. Push firmly down on the clip. Make sure the clip is all the way down on the T-Bar.
 - d. Attach the T-Bar support assembly to the back box using the support clip. Take care to ensure that the screws are inserted into the back box lip, not into the back box area.
 - e. Pull bar to desired height and tighten screws.
3. Securely support the back box above the 2' x 2' or 2' x 4' suspended "T" grid ceiling system with independent wire support from each corner of backbox.
4. Install the Concealite unit into the backbox using the directions supplied with the unit.

Note: Back box extensions are available if the back box cannot be mounted flush with the ceiling tile.



Concealite Life Safety Products
202 Elk Street - Elkton, SD 57026
www.concealite.com

Phone: 605-542-4444
Fax: 605-542-3333
email: info@concealite.com